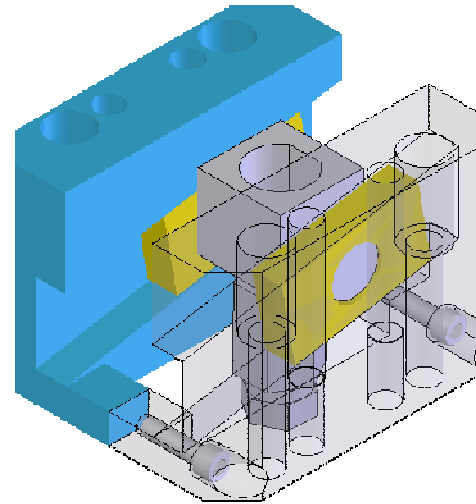
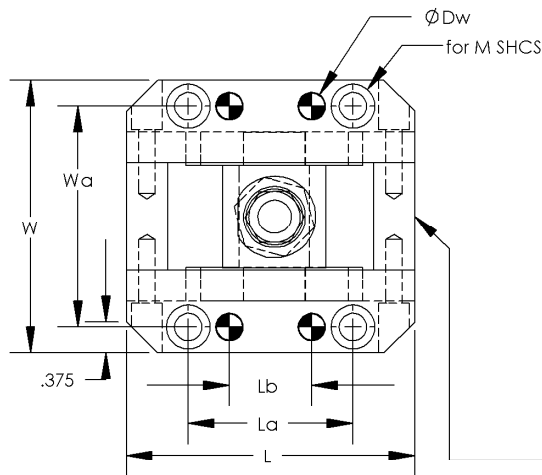
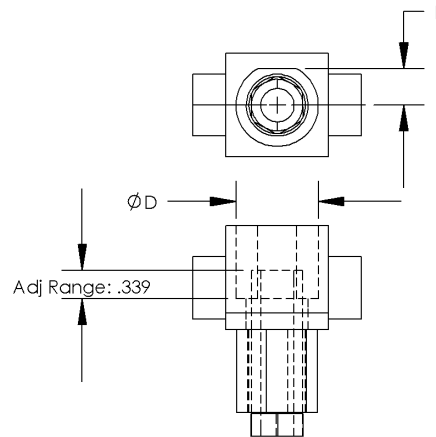
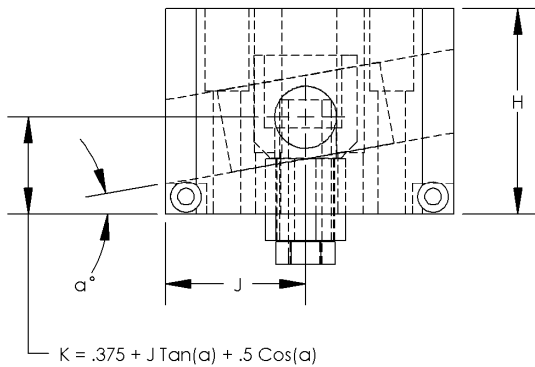


Saves Build Time!

- 0-15 degrees preset angle of travel
- .339 lifter rod length adjustment
- Accommodates lifter rod angles of up to 30 degrees



Spacer removes to increase travel



Materials: Trunnion and Base: 4140 Rc 28 -32; Bearing Block: Aluminum Bronze; with/without Graphite Plugs.

Tolerances: L, W, H: $\pm .005$; Holes: $\pm .005$; All Other: $\pm .010$

Code	Lifter Rod			Base							
	D (dia)	F (flat)	Screw	W	Wa	L	La	Lb	M	Dw	H
6	0.750	0.315	3/8	3.125	2.499	3.500	2.000	1.000	5/16	0.313	2.500
8	1.000	0.440	1/2	3.312	2.686	3.500	2.000	1.000	5/16	0.313	2.500

Catalog Number:

TJA 8 G 08

G = Graphite; X = No Graphite

Code (lifter rod dia in 1/8s)

a (0 - 15 degrees)